

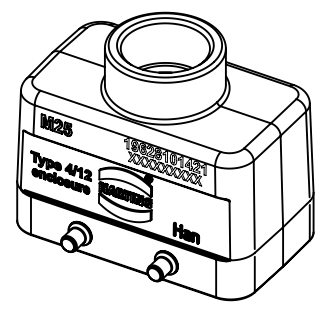
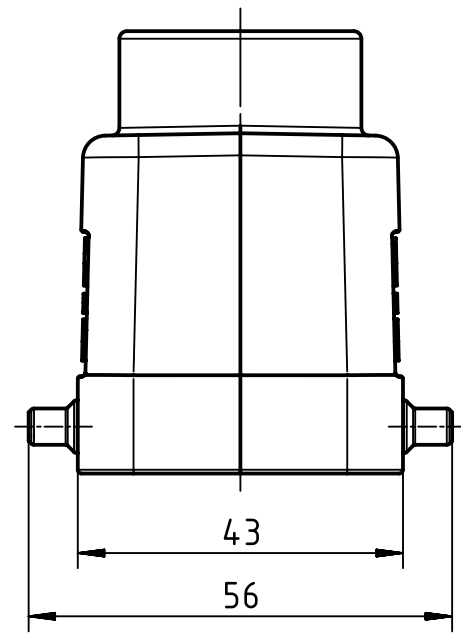
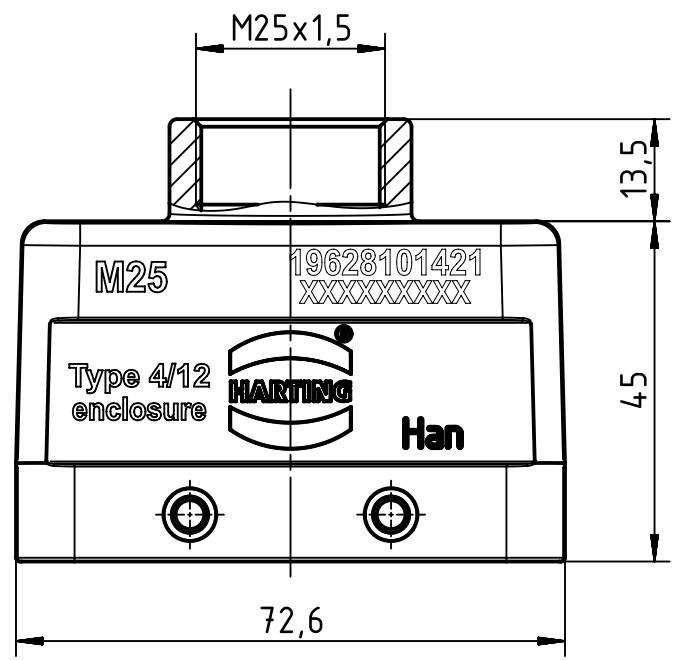
1 2 3 4 5 6

A

B

C

D



|   |  |  |                                   |                          |                            |                    |  |             |
|---|--|--|-----------------------------------|--------------------------|----------------------------|--------------------|--|-------------|
|   | All Dimensions in mm<br>Original Size DIN A4 |  | Scale<br>1:1                      | Free size tol.           |                            | Ref.               |  |             |
|   |  |  |                                   |                          |                            | Sub.               |  |             |
|   | All rights reserved                          |  | Created by<br>HELLMANN            | Inspected by<br>GERB     | Standardisation<br>RUETERA | Date<br>2019-12-02 | State<br>Final Release                                   |             |
|   | Department EL PD                             |  | Title<br>Han 10EMC/B-HTE-M25 (HT) |                          |                            |                    | Doc-Key / ECM-Nr.<br>100192202/UGD/004/E<br>500000161508 |             |
| HARTING Electric GmbH & Co. KG<br>D-32339 Espelkamp |  |  | Type<br>TB                        | Number<br>19 62 810 1421 |                            |                    | Rev.<br>E  | Page<br>1/1 |