

X (2:1)

M40x1,5

M40

SW 5
tightening
torque
min. 4Nm

19405240413
XXXXXXXXXX



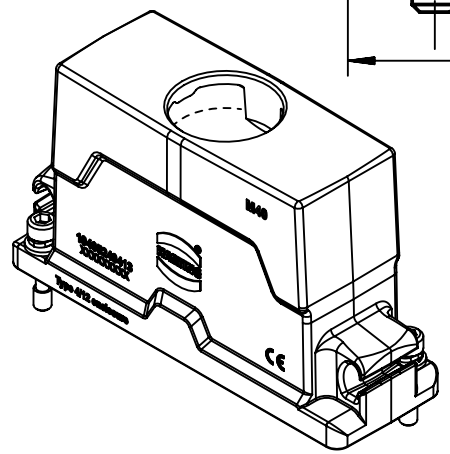
CE

Type 4/12 enclosure

155

89,6

50



	All Dimensions in mm Original Size DIN A4		Scale 1:1	Free size tol.		Ref.	
			Created by WENE	Inspected by LUOK	Standardisation 302077	Date 2021-05-31	State Final Release
All rights reserved Department EL PD		Title Han 24HPR-Compact-HTE-HC-SCL-M40				Doc-Key / ECM-Nr. 100870417/UGD/003/C 500000195433	
HARTING D-32339 Espelkamp		Type TB	Number 19 40 524 0413			Rev. C	Page 1/1