

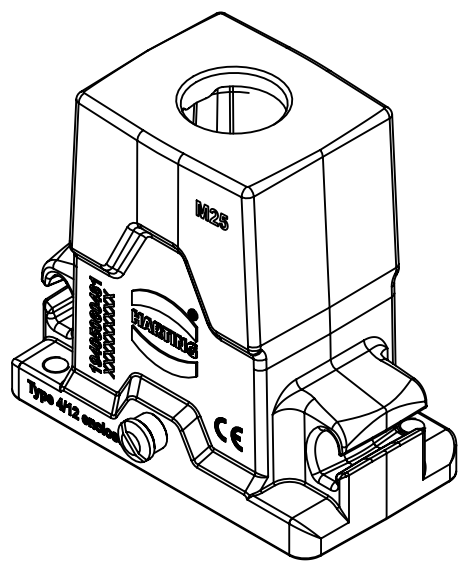
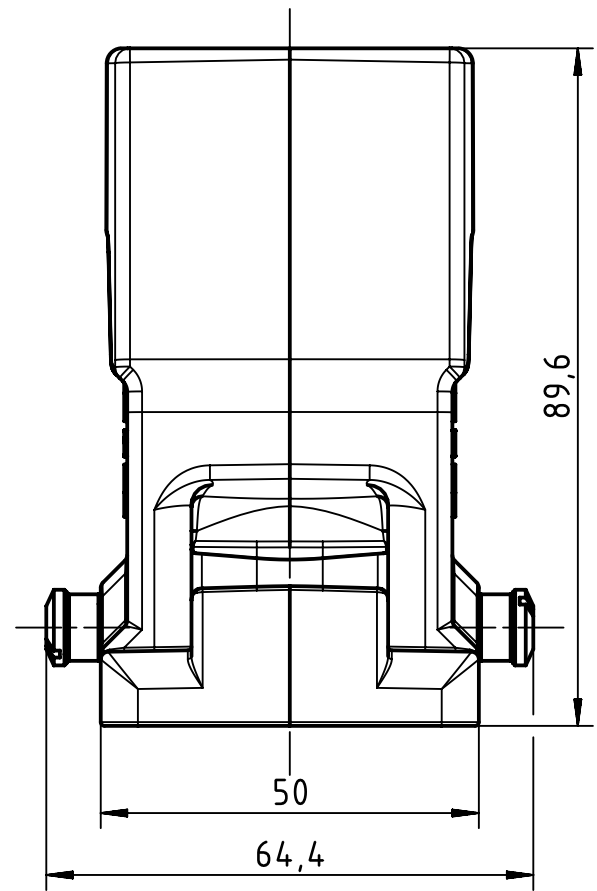
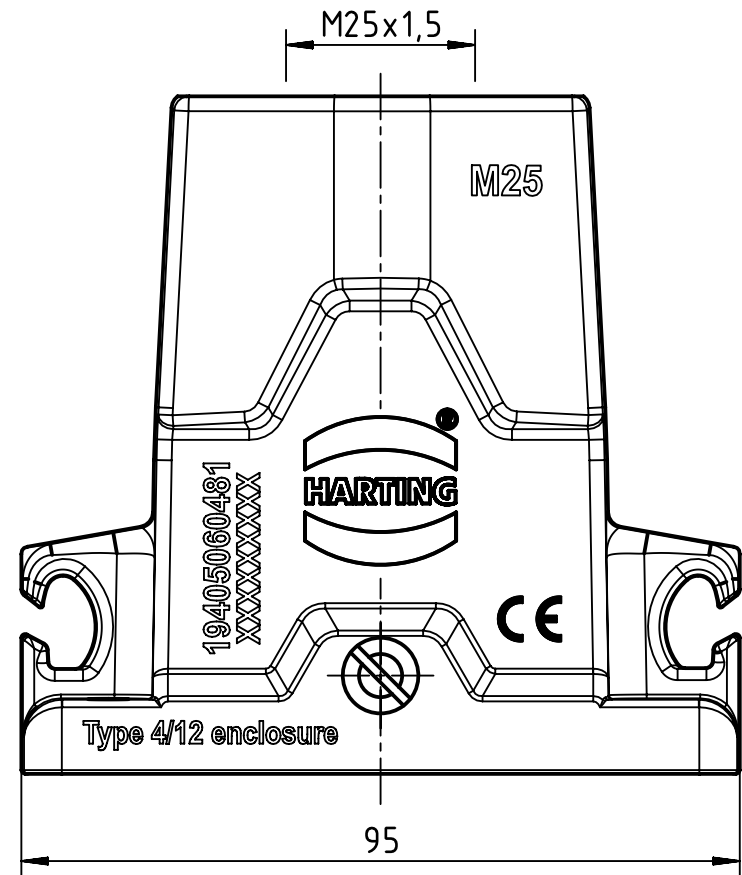
1 2 3 4 5 6

A

B

C

D



	All Dimensions in mm Original Size DIN A4		Scale 1:1	Free size tol.		Ref.
			Created by LONGL	Inspected by LUOK	Standardisation GARSKE	Sub.
All rights reserved		Date 2020-08-28		State Final Release		Doc-Key / ECM-Nr. 100873863/UGD/001/B 500000178764
Department EL PD		Title Han 6HPR-Compact-HTE-HC-for CL-M25				
HARTING Electric GmbH & Co. KG D-32339 Espelkamp		Type TB	Number 19 40 506 0481		Rev. B	Page 1/1