

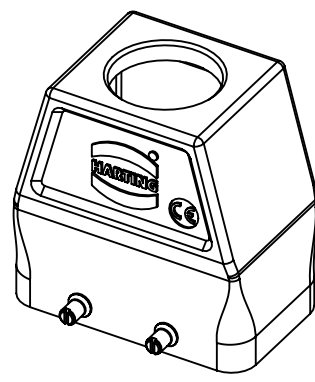
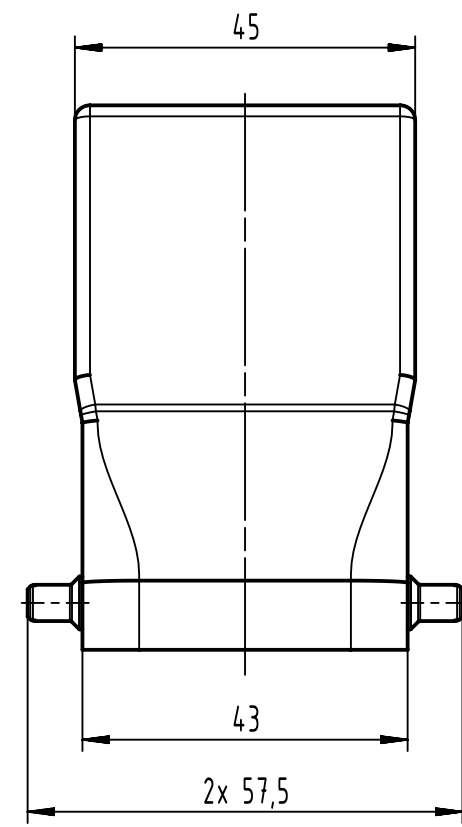
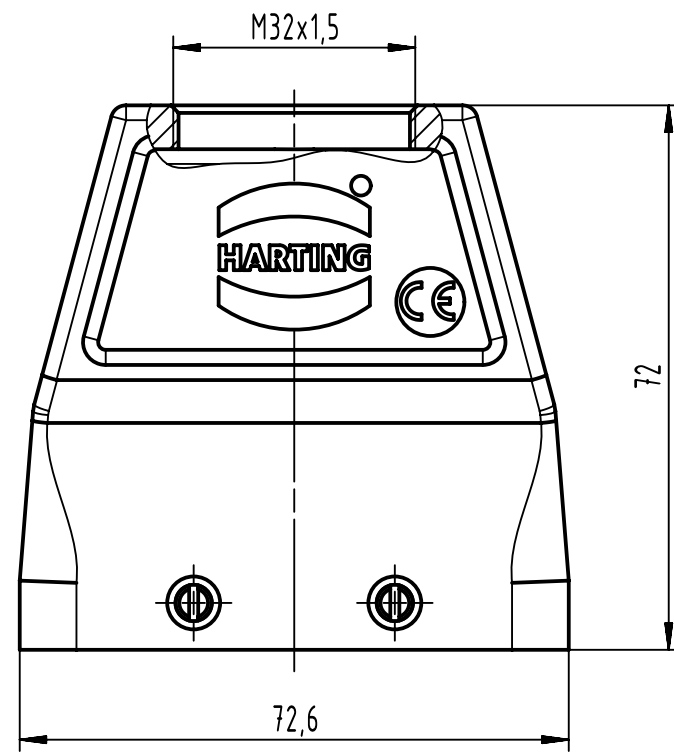
1 2 3 4 5 6

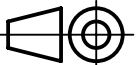

A

B

C

D



 All Dimensions in mm Original Size DIN A4	Scale	Free size tol.		Ref.	
	1:1			Sub.	
 All rights reserved Department EL PD	Created by	Inspected by	Standardisation	Date	State
	BALSAN	402625		2022-11-15	Final Release
HARTING D-32339 Espelkamp	Title			Doc-Key / ECM-Nr.	
	Han 10B HTE INOX top entry M32			10094.7224/UGD/001/B 500000228672	
Type		Number		Rev.	Page
TB		19 44 010 0427		B	1/1