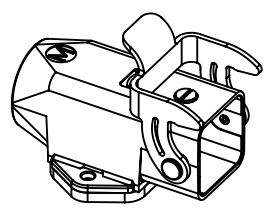
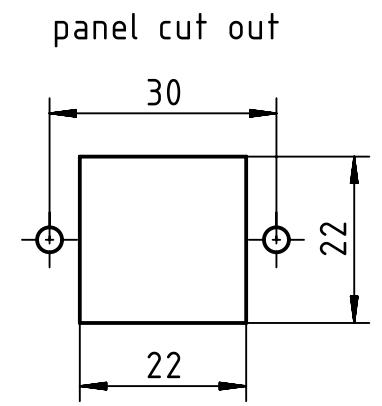
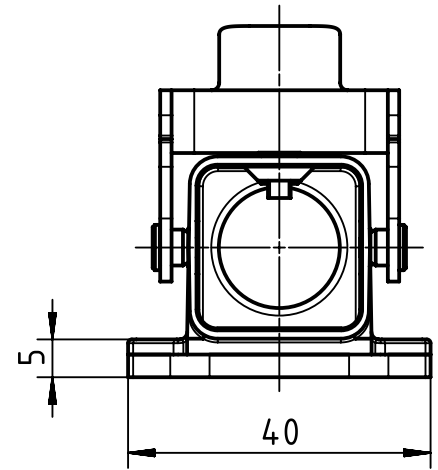
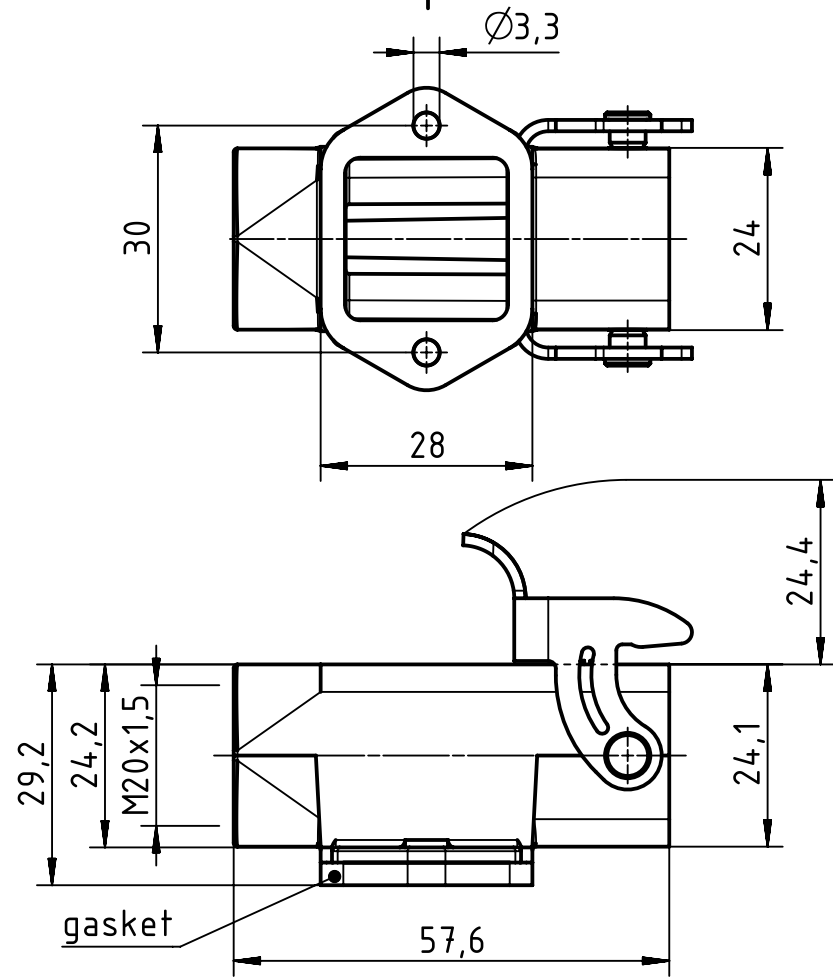


A

B

C

D



insert fixing screw M3x6 enclosed

| | | | | | | |
|---|--|--|--|--------------------------|----------------------------|--|
| | All Dimensions in mm Original Size DIN A4 | | Scale 1:1 | Free size tol. | | Ref. |
| | | | | | | Sub. |
| | All rights reserved | | Created by HELLMANN | Inspected by RIEPE | Standardisation RUETERA | Date 2020-02-13 |
| | Department EL PD | | | | | State Final Release |
| HARTING Electric GmbH & Co. KG D-32339 Espelkamp | | | Title Han-INOX 3A-HSM-SL-M20- bottom open | | | Doc-Key / ECM-Nr. 100878890/UGD/002/A 500000166477 |
| | | | Type TB | Number 19 44 003 1251 | | Rev. A |
| | | | | | Page 1/1 | |