

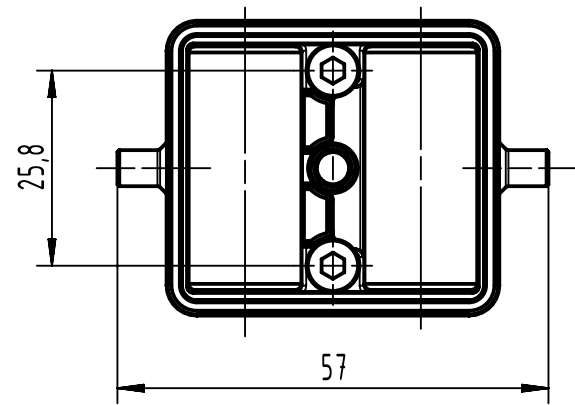
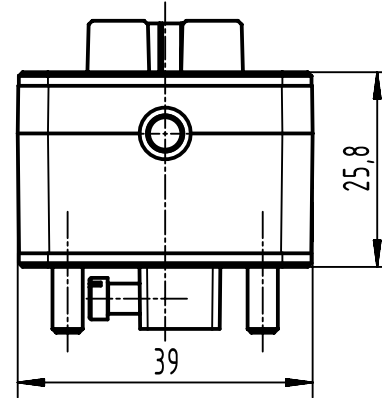
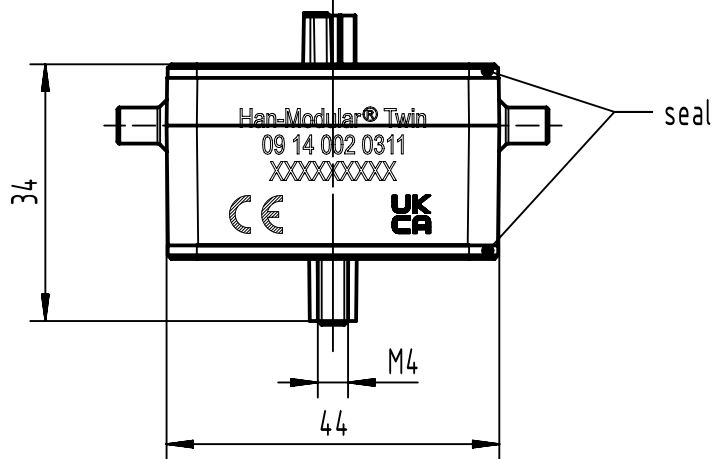
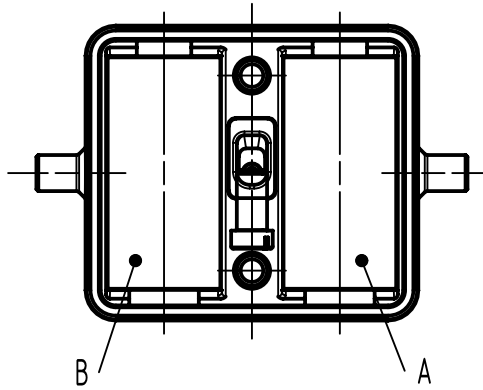
1 2 3 4 5 6

A

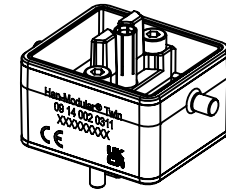
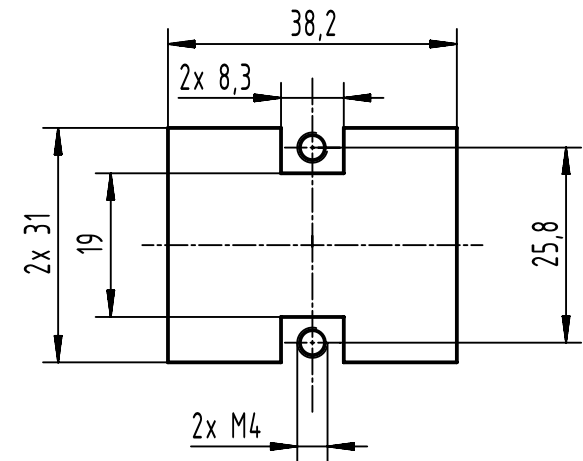
B

C

D



panel cut out



	All rights reserved Department EL PD	All Dimensions in mm Original Size DIN A4		Scale 1:1	Free size tol.	Ref.
		HARTING D-32339 Espelkamp	Created by SPRENB	Inspected by SUNDERMEIER	Standardisation	Date 2021-10-29
Title Han 2Mod Trägergehäuse						Doc-Key / ECM-Nr. 100562210/UGD/003/E 500000204.806
Type TB				Number 09 14 002 0311		Rev. E
						Page 1/1