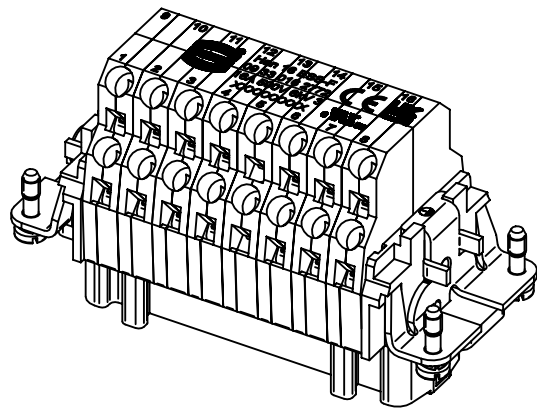
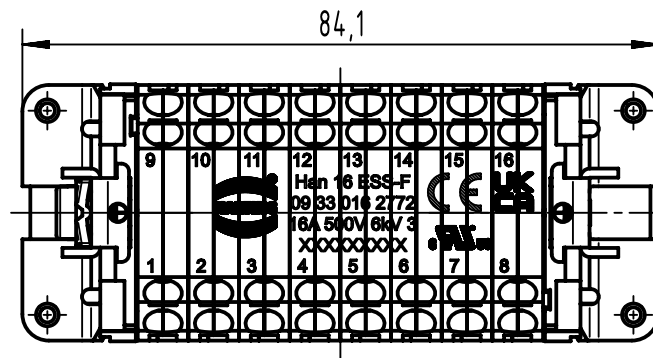
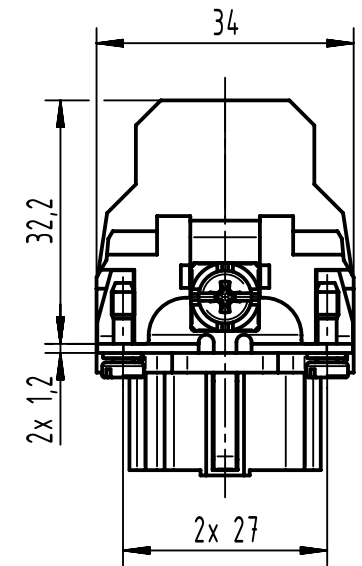
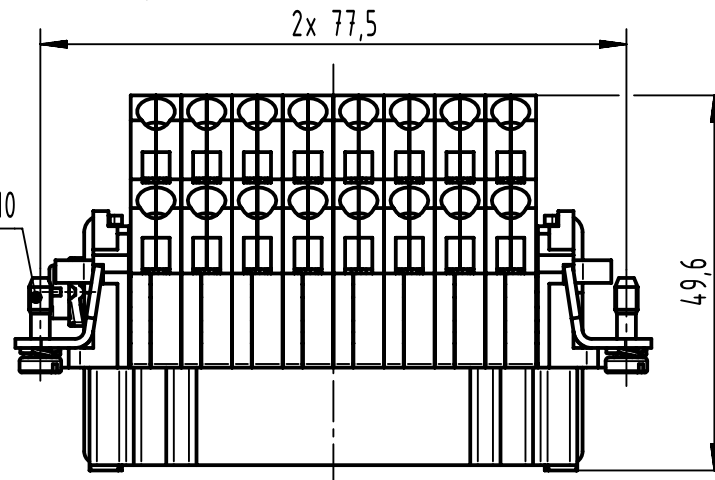


4x M3x10



	All Dimensions in mm Original Size DIN A4		Scale 1:1	Free size tol.		Ref.
						Sub.
	All rights reserved		Created by BALSAN	Inspected by 402602	Standardisation	Date 2021-11-05
	Department EL PD					State Final Release
HARTING D-32339 Espelkamp			Title Han ESS 16 Pos. F Insert Double Cage Cla			Doc-Key / ECM-Nr. 100130095/UGD/005/C 500000204239
			Type TB	Number 09 33 016 2772		Rev. C Page 1/1