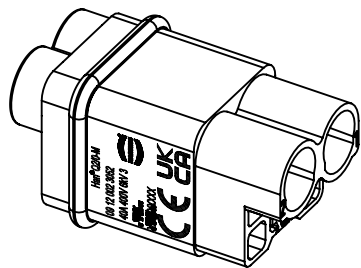
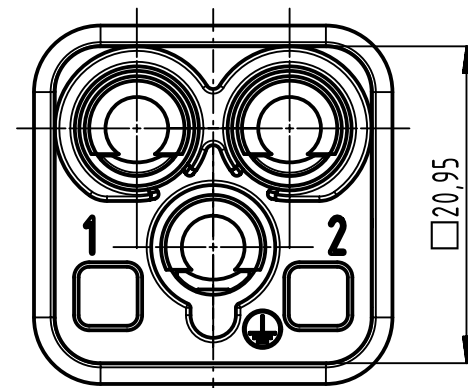
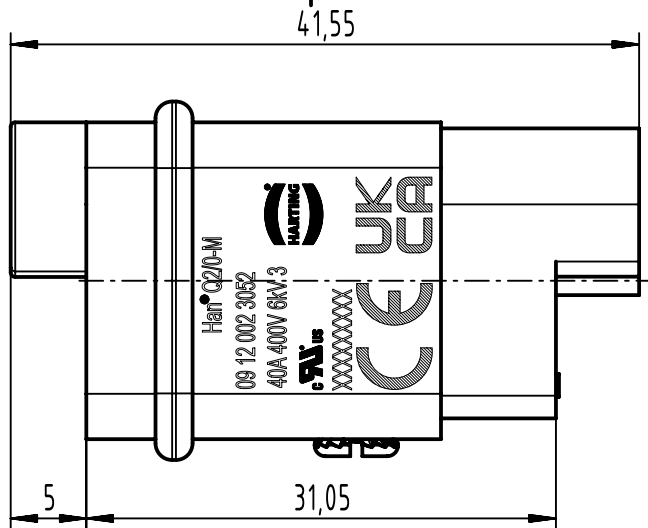
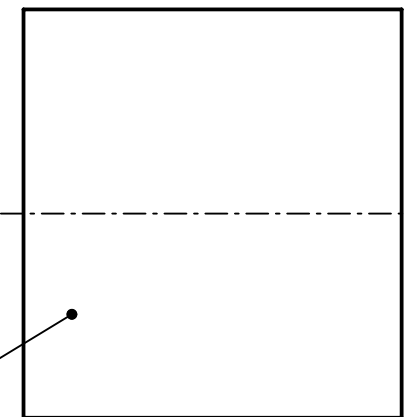


insert fixing screw  
is enclosed



heat shrink tube  
separated enclosed



	All rights reserved Department EL PD	All Dimensions in mm Original Size DIN A4	Scale 2:1	Free size tol.	Ref.	
		HARTING D-32339 Espelkamp	Created by 100887	Inspected by SUNDERMEIER	Standardisation	Date 2022-10-28
Title Han Q 2/0-m-crimp HV					Doc-Key / ECM-Nr. 1010174.83/UGD/000/B 500000225850	
Type TB		Number 09 12 002 3052			Rev. B	Page 1/1