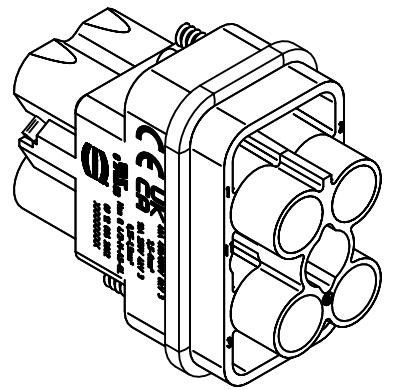
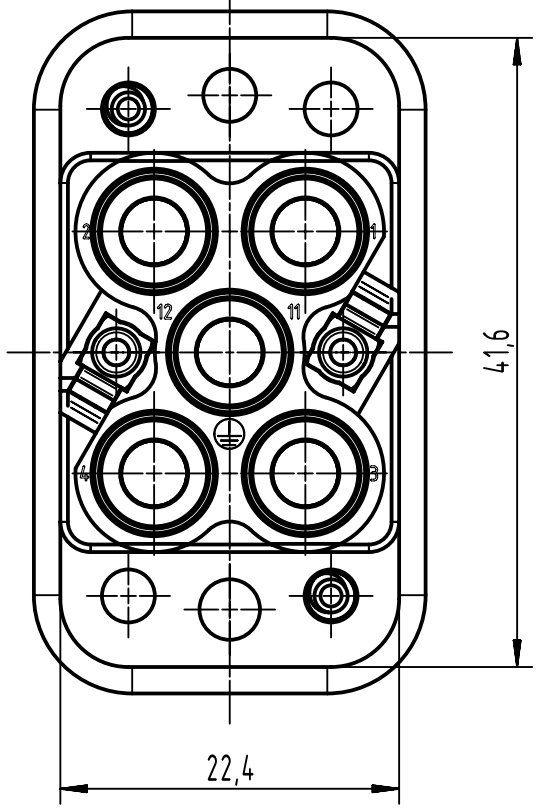
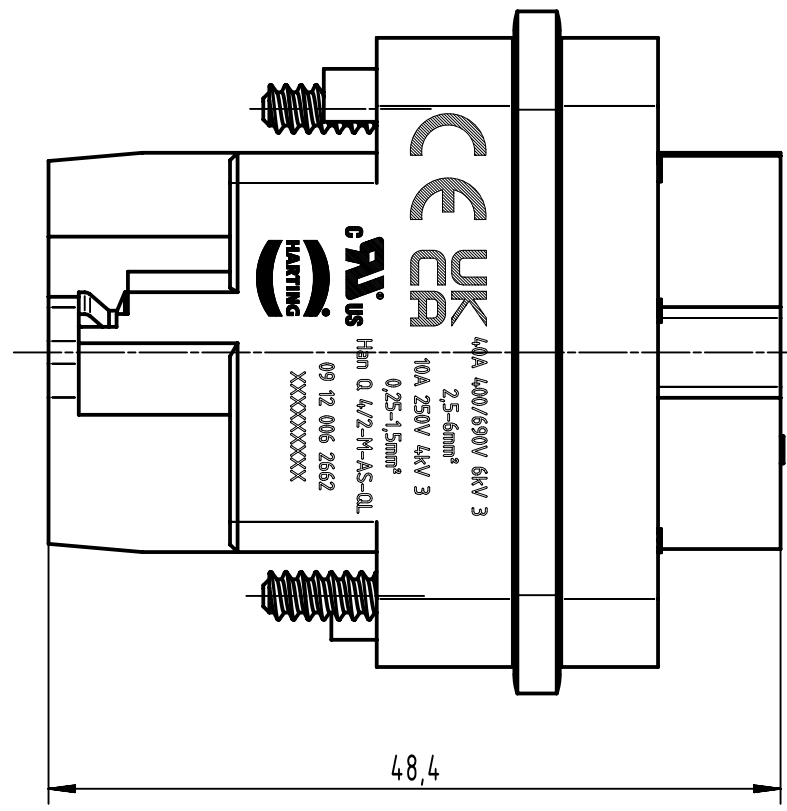
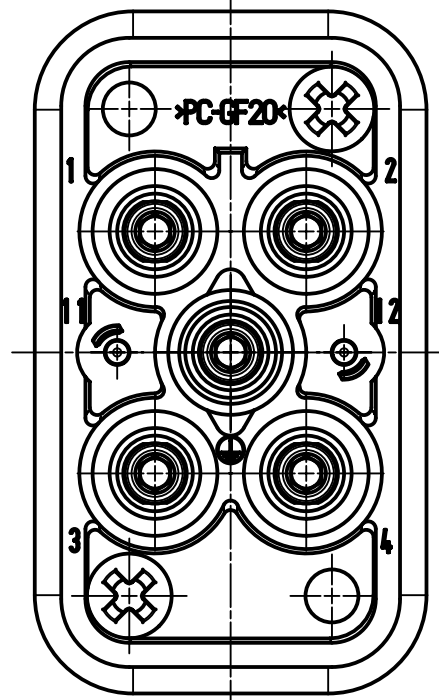


1 2 3 4 5 6

A
B
C
D



	All Dimensions in mm Original Size DIN A4		Scale 2:1	Free size tol.		Ref.
			Created by 100887	Inspected by SUNDERMEIER	Standardisation	Date 2022-10-28
All rights reserved Department EL PD		Title Han Q 4/2-M insert with QL 2,5-6mm ²			State Final Release	
HARTING D-32339 Espelkamp		Type TB Number 09 12 006 2662			Doc-Key / ECM-Nr. 100212002/UGD/003/C 500000225850	
					Rev. C	Page 1/1