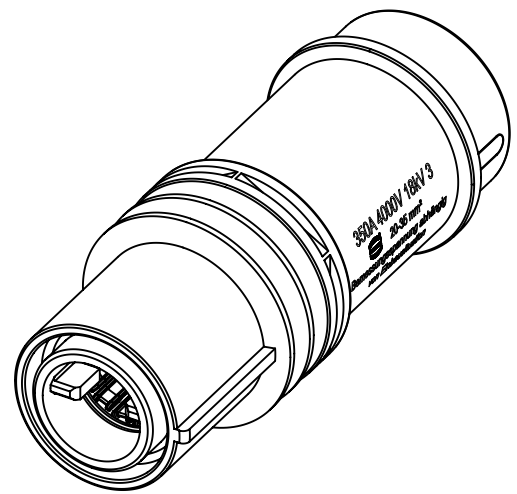


SW5
hexagonal driver

stripping length: 19⁺¹mm
insulation diameter: max.19,5mm

wire gauge		tightening torque
20-35mm ²	AWG 4-2	6 Nm



	All Dimensions in mm Original Size DIN A4	Scale 1:1	Free size tol.		Ref.
	All rights reserved Department EL PD	Created by RULLKOETTER	Inspected by SCHNIEDER	Standardisation RUETERA	Sub. TB 09 11 001 2750 v. 29.07.98
HARTING Electric GmbH & Co. KG D-32339 Espelkamp	Title Han 1HC-bu-AX (350A,20-35mm ²)			Date 2020-02-27	State Final Release
	Type TB	Number 09 11 001 2750		Doc-Key / ECM-Nr. 100085551/UGD/002/C 500000167564	Rev. C Page 1/1