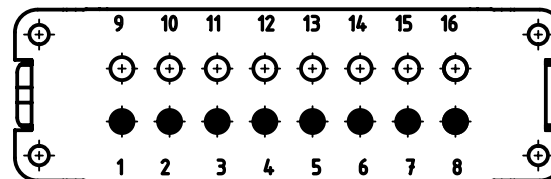
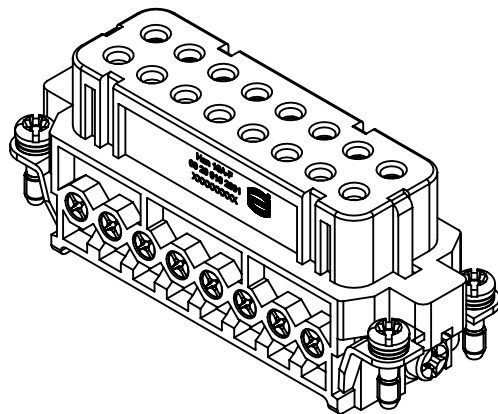



termination side



- contacts CuNi
- contacts Fe gold-plated



	All rights reserved Department EL PD	All Dimensions in mm Original Size DIN A4		Scale 1:1	Free size tol.	Ref.
		Created by 402795	Inspected by 406804	Standardisation	Date 2023-03-24	State Final Release
HARTING D-32339 Espelkamp		Title Han 16A-BU-S (FE(Au) / CuNi)			Doc-Key / ECM-Nr. 100087447/UGD/005/E 500000240659	
		Type TB	Number 09 20 016 2891		Rev. E	Page 1/1