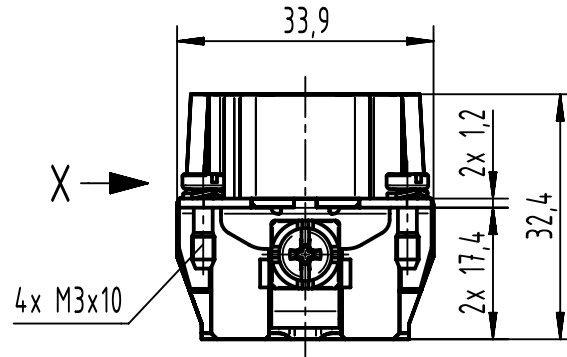
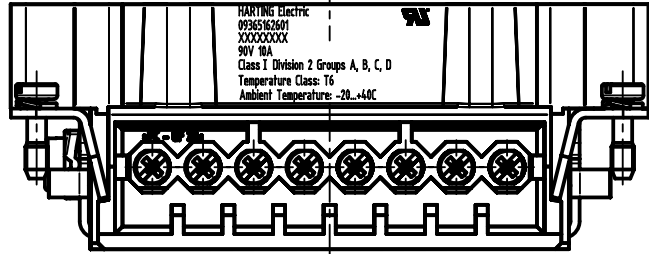
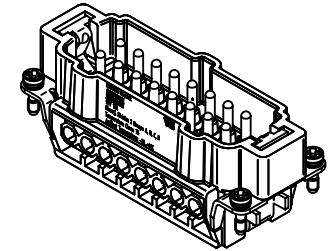
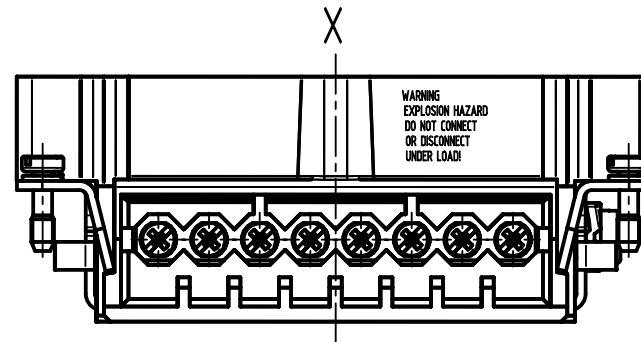
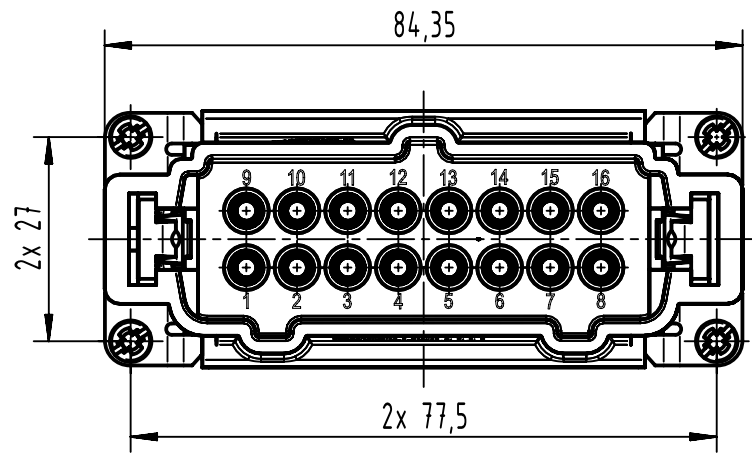


FOR USE WITH HAN 16E SCREW: AWG 16  
 FOR USE WITH Cable Type:  
 PLTC, PLTC-ER, ITC, ITC-ER, MC, MV, AND TC  
 FOR USE IN CLASS I, DIVISION 2 GROUPS A, B, C AND D  
 HAZARDOUS LOCATIONS OR UNCLASSIFIED LOCATIONS

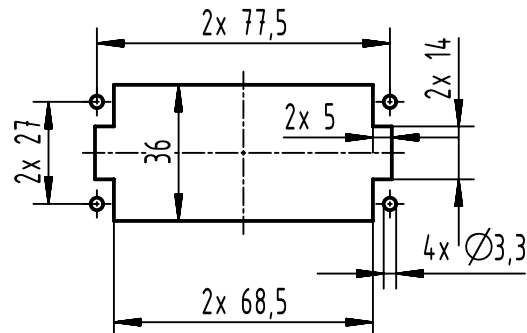


THE INSTALLATION MUST BE IN ACCORDANCE WITH THE ASSOCIATED LOCATION RESTRICTIONS OF THE NATIONAL ELECTRIC CODE OR CANADIAN ELECTRICAL CODE AS APPLICABLE, INCLUDING ISSUES SUCH AS THE ROUTING, SUPPORT AND LENGTH OF THE INVOLVED CORD OR CABLE.

WARNING  
 EXPLOSION HAZARD  
 DO NOT CONNECT  
 OR DISCONNECT  
 UNDER LOAD!



panel cut out (1:2)



|                              |  |                        |                           |  |                    |                        |
|------------------------------|--|------------------------|---------------------------|--|--------------------|------------------------|
|                              | All Dimensions in mm<br>Original Size DIN A4 | Scale<br>1:1           | Free size tol.            | Ref.<br>Sub.   |                    |                        |
|                              | All rights reserved<br>Department EL PD      | Created by<br>HELLMANN | Inspected by<br>SCHNIEDER | Standardisation<br>SAP_WFRT                              | Date<br>2022-06-03 | State<br>Final Release |
| HARTING<br>D-32339 Espelkamp | Title<br>Han 16Ex-UL-M-s                     | Type<br>TB             | Number<br>09 36 516 2601  | Doc-Key / ECM-Nr.<br>100669621/UGD/001/E<br>500000218293 | Rev.<br>E          | Page<br>1/1            |