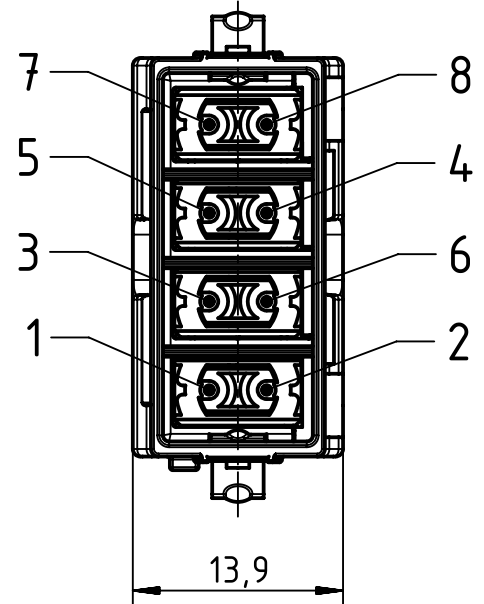
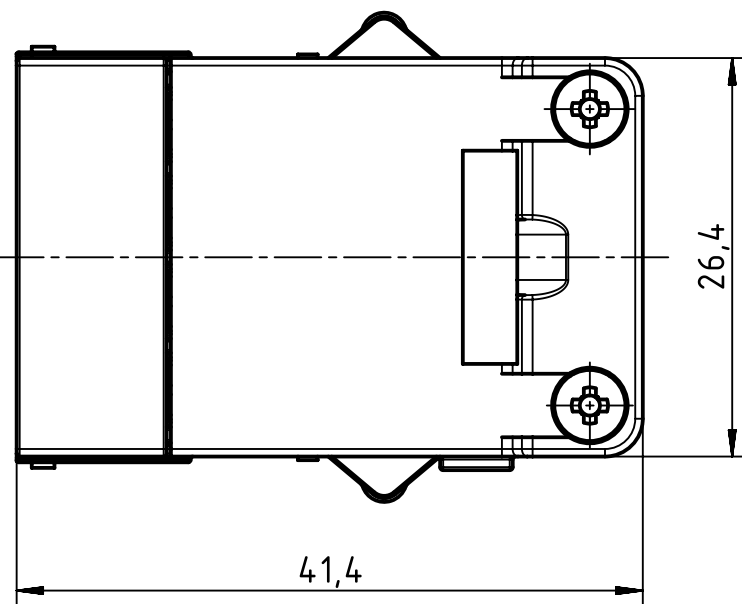


A



wiring acc. EIA/TIA 568A  
view from termination side

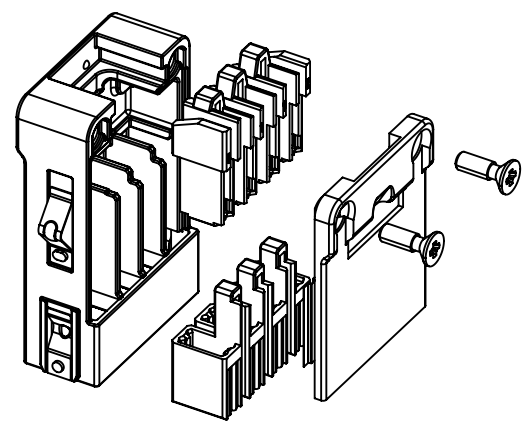
brown	8•	•7	white/brown
blue	4•	•5	white/blue
orange	6•	•3	white/orange
green	2•	•1	white/green

wiring acc. EIA/TIA 568B  
view from termination side

brown	8•	•7	white/brown
blue	4•	•5	white/blue
green	6•	•3	white/green
orange	2•	•1	white/orange

B

C



D

Male contact		
Part number	Wire gauge	
	mm <sup>2</sup>	AWG
09930005576	0,13-0,33mm <sup>2</sup>	22-26

	All Dimensions in mm Original Size DIN A4		Scale 2:1	Free size tol.		Ref.	
	All rights reserved Department EL PD		Created by HELLMANN	Inspected by BERGHORN	Standardisation RUETERA	Date 2018-08-21	State Final Release
HARTING Electric GmbH & Co. KG D-32339 Espelkamp		Title Han Gigabit insert M Cat. 7 (shield-GND)				Doc-Key / ECM-Nr. 100706498/UGD/000/E 500000138963	
		Type TB	Number 09 14 008 3032			Rev. E	Page 1/1