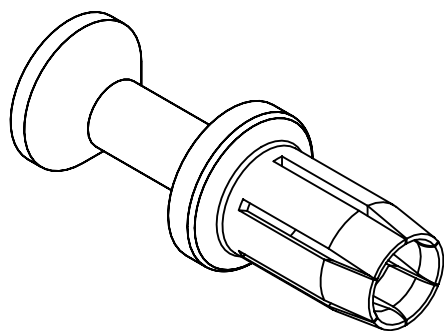


assembly notes see catalog  
 crimp tool 09 99 000 0377 (without locator)  
 for stranded fine wire acc. to VDE 0295 class 5/IEC 60228 class 5  
 wire gauge: 6mm<sup>2</sup>  
 stripping length: 15mm



	All rights reserved Department EL PD	All Dimensions in mm Original Size DIN A4	Scale 2:1	Free size tol.		Ref.	
		HARTING D-32339 Espelkamp	Created by HELLMANN	Inspected by BERGHORN	Standardisation	Date 2023-07-19	State Final Release
Title Han TC70 female contact 6qmm						Doc-Key / ECM-Nr. 100180779/UGD/004/H 500000250256	
		Type TB	Number 09 11 000 6230			Rev. H	Page 1/1