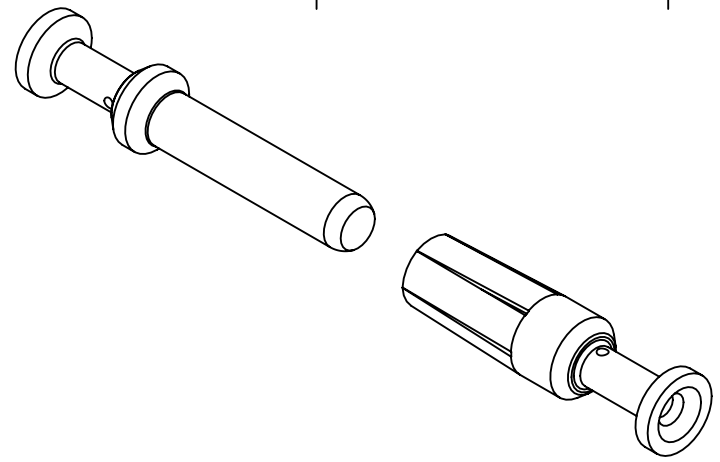
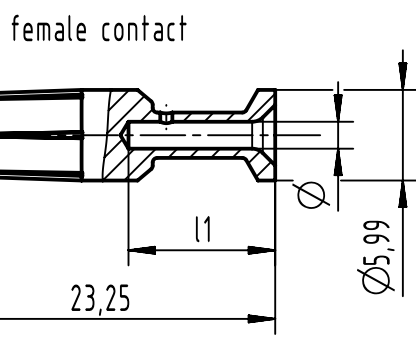
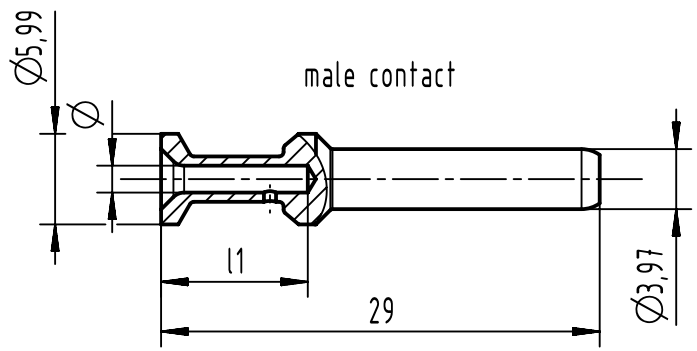


1 2 3 4 5 6

A
B
C
D



part no. 09 32 000...		Ø	wire gauge		crimp hole depth l1	stripping length	recommended crimping tools			
male contact	female contact		mm ²	AWG			09 99 000 0888	09 99 000 0110	09 99 000 0001	09 99 000 0377
6109	6209	4,3	10,0	8	9,7	depending on isolation body				
6108	6208	3,53	6,0	10	9,7	9,5				
6107	6207	2,88	4,0	12	9,7					
6106	6206	2,58	3,0	12	9,7					
6105	6205	2,28	2,5	14	9,7					
6104	6204	1,78	1,5	16	9,7					

All Dimensions in mm Original Size DIN A4		Scale 2:1	Free size tol.		Ref. Sub.
All rights reserved Department EL PD		Created by HELLMANN	Inspected by RIEPE	Standardisation SAP_WFRT	Date 2022-01-24
HARTING D-32339 Espelkamp		Title Han C-SMC-male/female contacts-crimp-Ag			State Final Release
		Type TB	Number 09 32 000 6X0X		Doc-Key / ECM-Nr. 100821744/UGD/009/H 500000209279 Rev. H Page 1/1