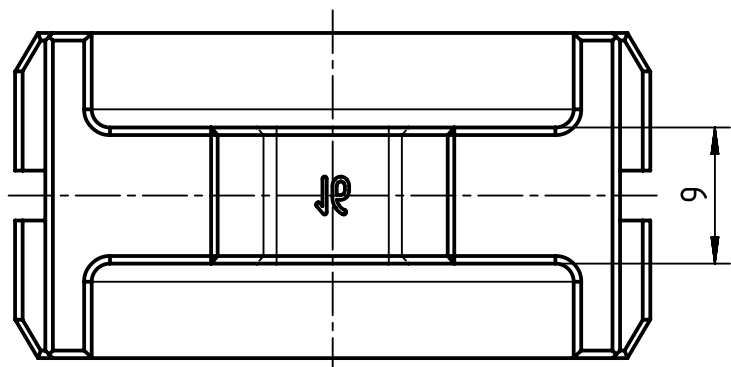
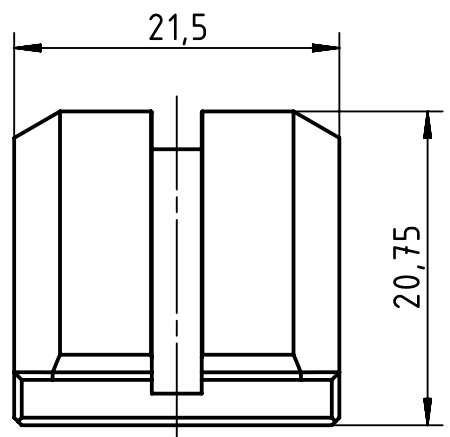


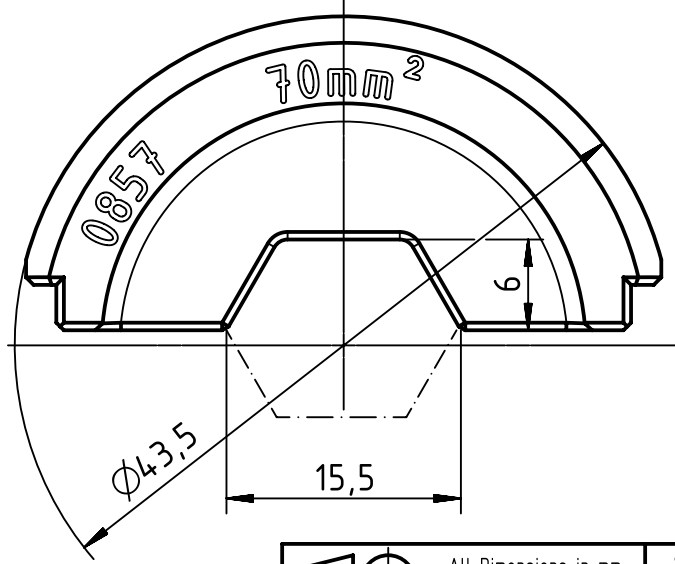
A



B

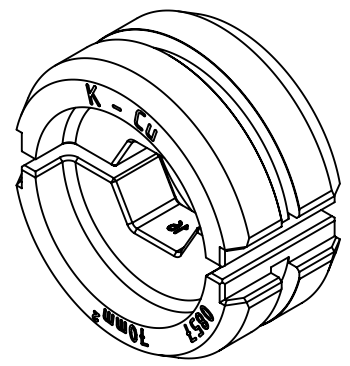



C



Scope of delivery 2 crimp dies

D



	All Dimensions in mm Original Size DIN A4		Scale 2:1	Free size tol.		Ref.	
	All rights reserved Department EL PD - DE		Created by HOLLERT	Inspected by RIEPE	Standardisation RUETERA	Date 2017-05-15	State Final Release
HARTING Electric GmbH & Co. KG D-32339 Espelkamp		Title Crimp die 70mm <sup>2</sup> for 60 kN tool				Doc-Key / ECM-Nr. 100572327/UGD/002/C 500000119344	
		Type TB	Number 09 99 000 0857			Rev. C	Page 1/1