

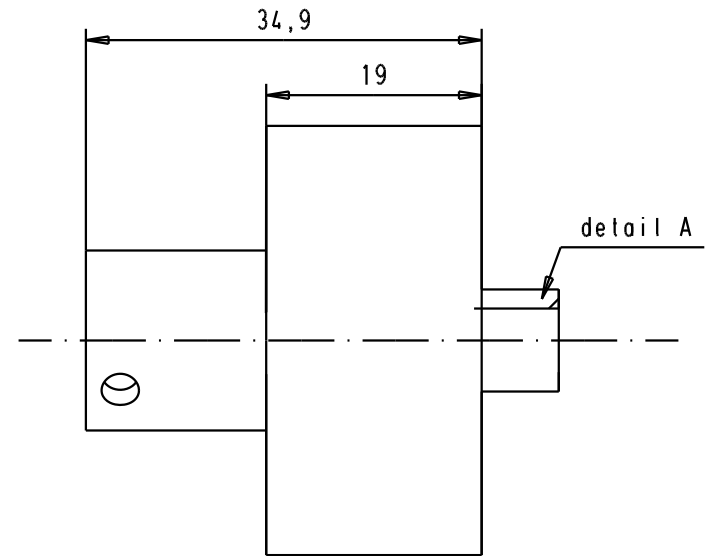
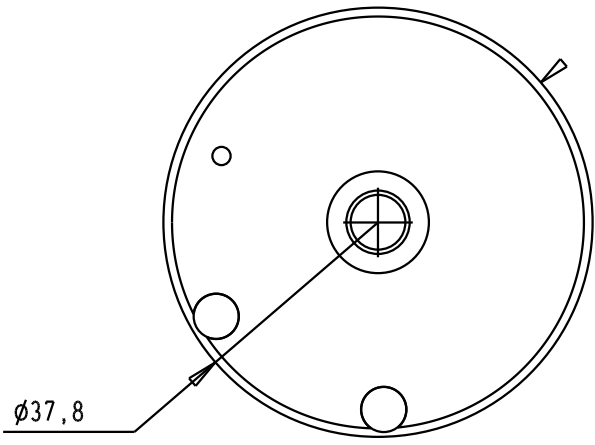
5

4

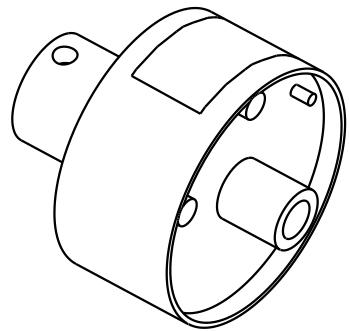
3

2

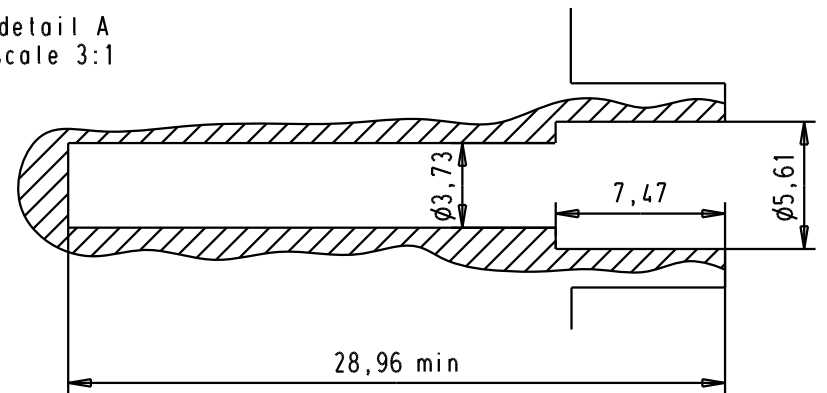
1

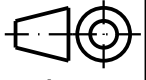



Used with hand crimp tool : 09 99 000 0509
and power crimp contacts : 09 69 282 X82X



detail A
scale 3:1



				Det.	Name	 All Dim. in mm Orig. Size DIN A 4	positioner for single male power crimp contacts	Moßstab/ Scale
			Detail.	10/01/06	JMDR			1.5:1
			Insp.					
			Stand.					
				HARTING EURL F-95972 Paris			TB 09 99 000 0522	Blatt/ Page
33412	10/01/06	JMDR	Mod.	Det.	Name	1/1		
							Sub.	1/1