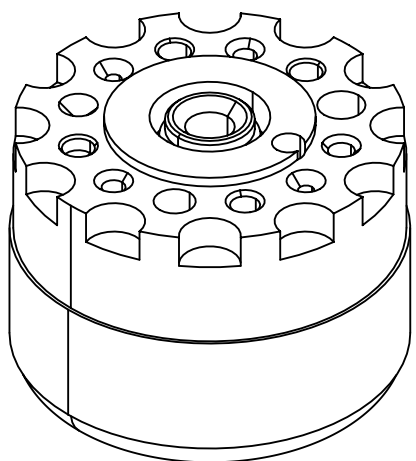
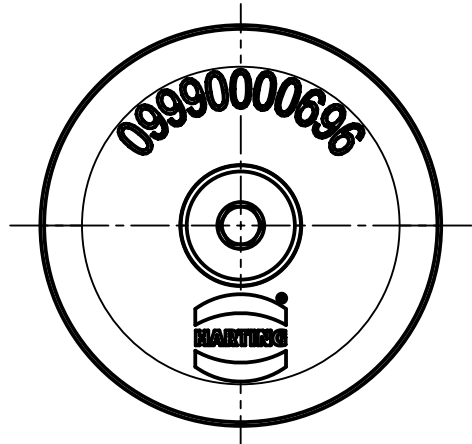
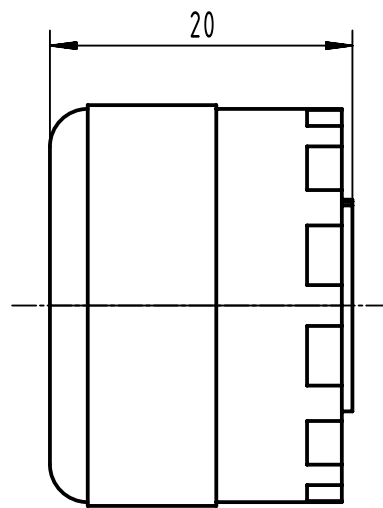
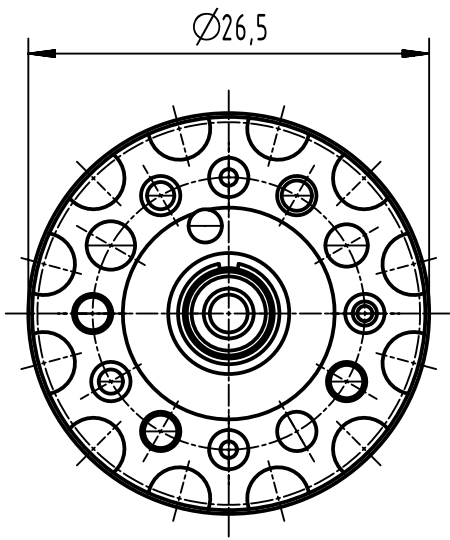



1 2 3 4 5 6

A
B
C
D



	All Dimensions in mm Original Size DIN A4		Scale 2:1	Free size tol.		Ref.
	All rights reserved Department EL PD		Created by HOLLERT	Inspected by HAERTLING	Standardisation	Sub.
HARTING D-32339 Espelkamp			Title Locator for M17 crimping tool			Date 2023-10-24
			Type TB		Number 09 99 000 0696	State Final Release
						Doc-Key / ECM-Nr. 101042341/UGD/001/B 500000256025
						Rev. B
						Page 1/1