

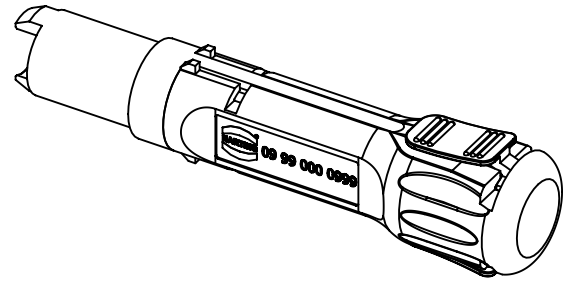
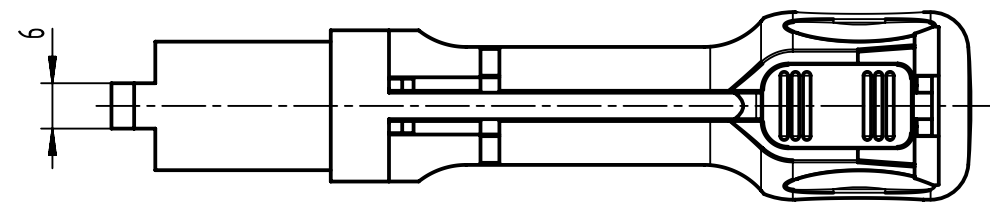
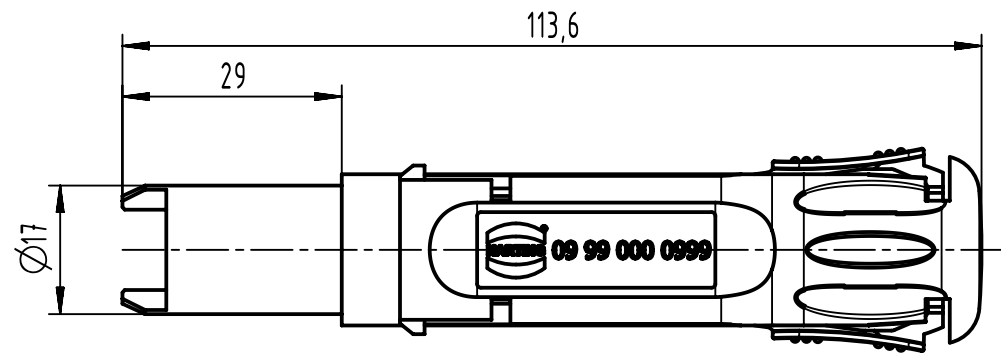
1 2 3 4 5 6


A

B

C

D



	All rights reserved Department EL PD	All Dimensions in mm Original Size DIN A4	Scale 1:1	Free size tol.	Ref. Sub.
	HARTING D-32339 Espelkamp	Created by 00103855	Inspected by RIEPE	Standardisation SAP_WFRT	Date 2022-06-02
Title Removal tool pneumatic module metal 8/10					Doc-Key / ECM-Nr. 100990891/UGD/001/C 500000218662
			Type TB	Number 09 99 000 0999	Rev. C Page 1/1