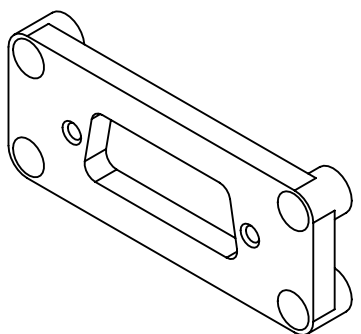
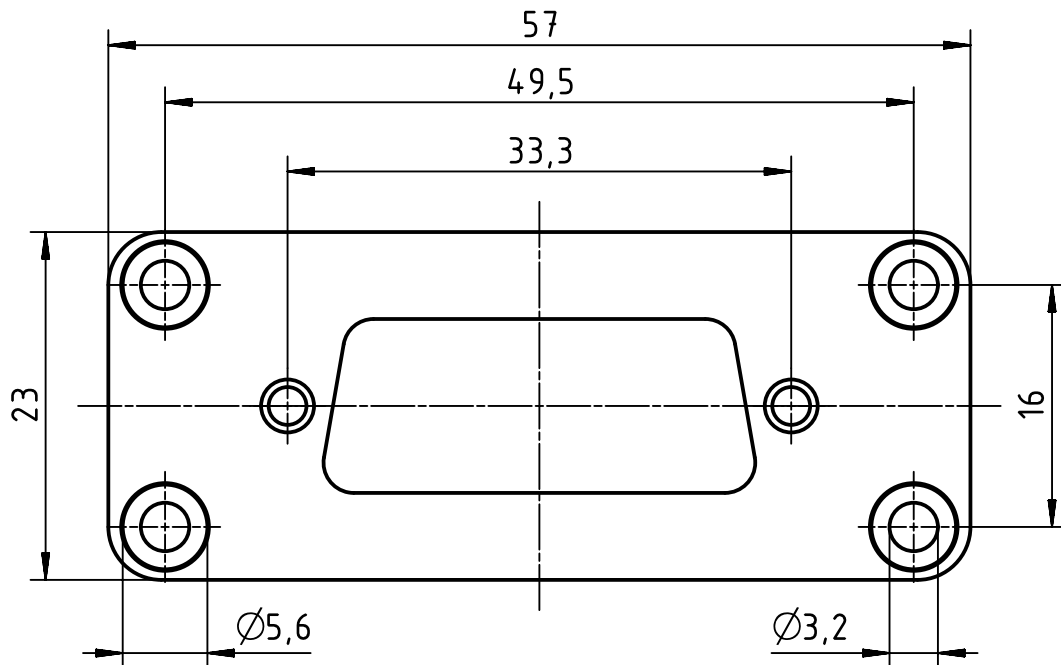
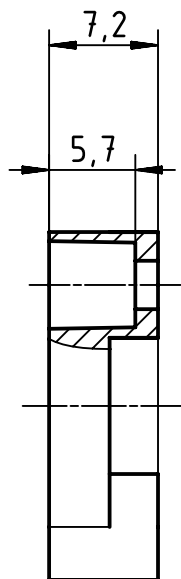



1 2 3 4 5 6

A  
B  
C  
D



belongs to range of delivery:  
2x screws ISO 1481-ST2,9x6,5-F  
4x screws ISO 1207-M3x10

	All Dimensions in mm Original Size DIN A4		Scale 2:1	Free size tol.		Ref.	
	All rights reserved Department EL PD		Created by HELLMANN	Inspected by NICHTERLEIN	Standardisation RUETERA	Date 2020-07-15	State Final Release
HARTING Electric GmbH & Co. KG D-32339 Espelkamp			Title Adapter Han 10A - D-Sub 15			Doc-Key / ECM-Nr. 100087167/UGD/007/C 500000176224	
			Type TB	Number 09 20 000 9928		Rev. C	Page 1/1