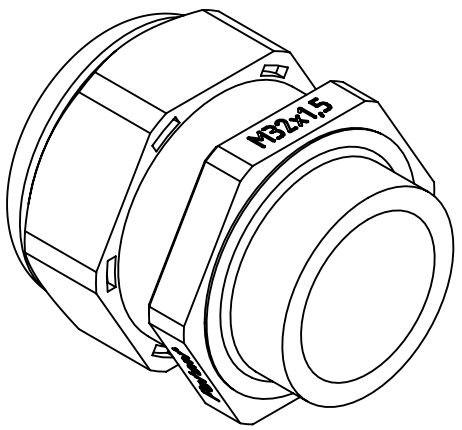
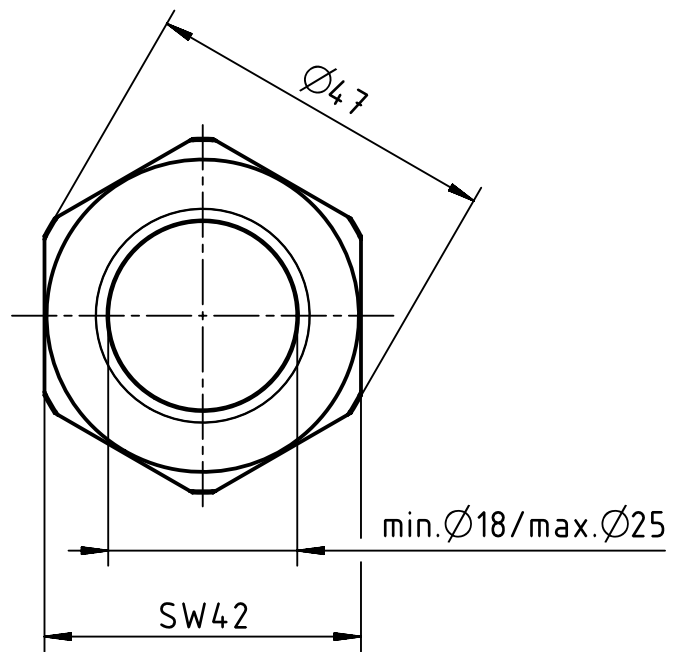
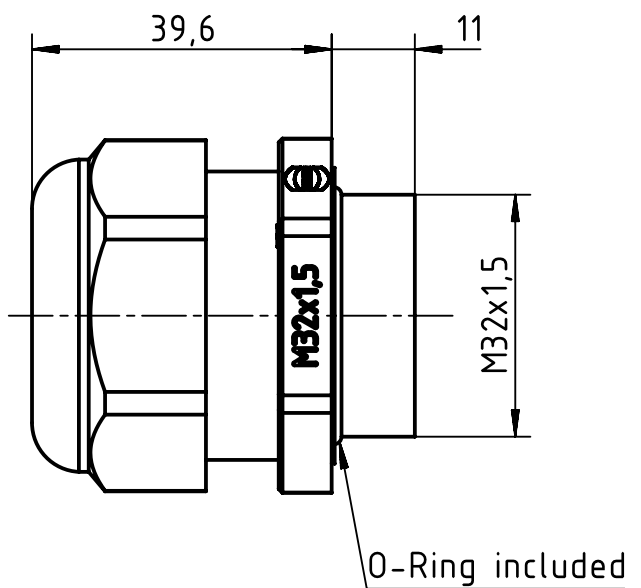



A

B

C

D



	All rights reserved Department EL PD - DE	Created by LONGL		Inspected by DINGB		Standardisation TIEMANNA		Date 2016-03-04		State Final Release	
		Title Han CGM-P M32x1,5 D.18-25mm black								Doc-Key / ECM-Nr. 100644450/UGD/001/B 500000100783	
HARTING Electric GmbH & Co. KG D-32339 Espelkamp		Type TB		Number 19 00 000 5187				Rev. B		Page 1/1	