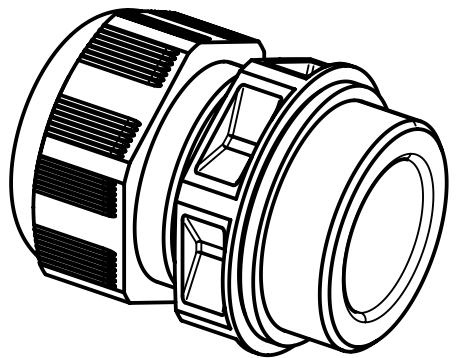
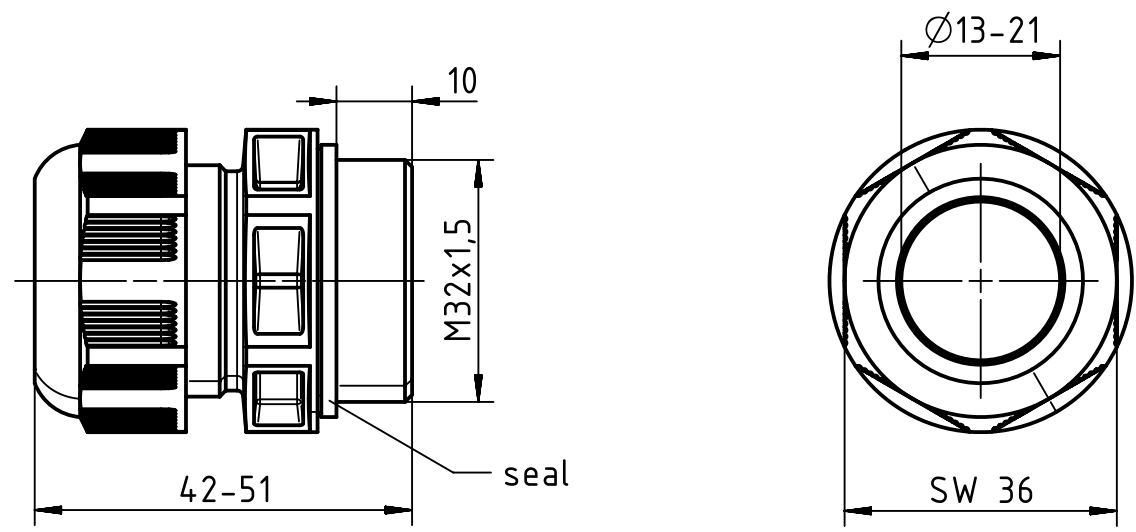


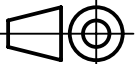

A

B

C

D



Coating	A=	mm ²	V=	mm ³	m=	g	Mat.
	All Dimensions in mm Original Size DIN A4		Scale 1:1	Free size tol.			Ref.
	All rights reserved Department EL PD - DE		Created by GERB	Inspected by SCHNIEDER	Standardisation SCHMIDTM	Date 2014-09-24	State Final Release
HARTING Electric GmbH & Co. KG D-32339 Espelkamp			Title Han-Eco cable gland M32			Doc-Key / ECM-Nr. 100186836/UGD/004/A 500000080116	
			Type TB	Number 19 41 000 5131			Rev. A Page 1/1