

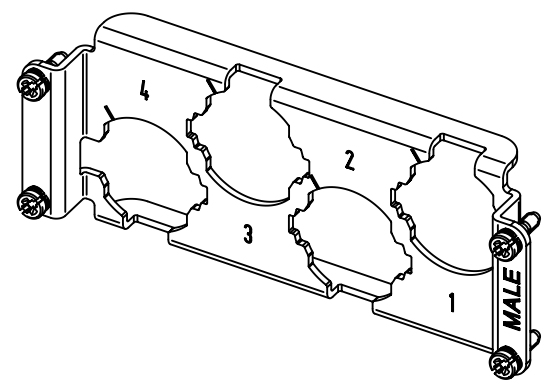
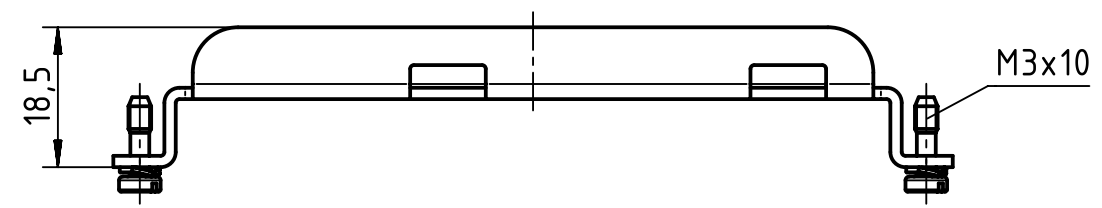
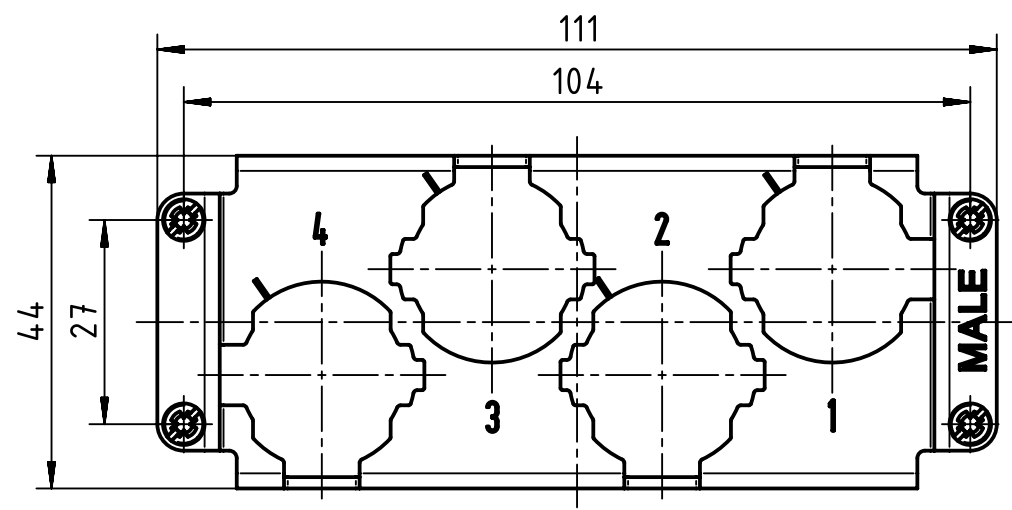
1 2 3 4 5 6


A

B

C

D



	All Dimensions in mm Original Size DIN A4		Scale 1:1	Free size tol.		Ref.	
	All rights reserved Department EL PD - DE		Created by RULLKOETTER	Inspected by SUNDERMEIER	Standardisation RUETERA	Date 2018-01-18	State Final Release
HARTING Electric GmbH & Co. KG D-32339 Espelkamp			Title Frame 4xHC250-M (invers)			Doc-Key / ECM-Nr. 100562371/UGD/002/B 500000130119	
			Type TB	Number 09 11 000 9941		Rev. B	Page 1/1