

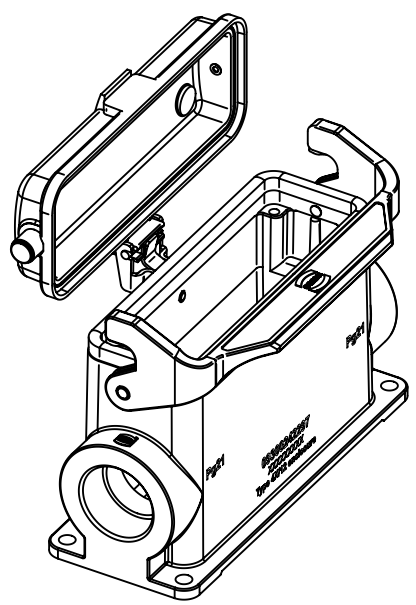
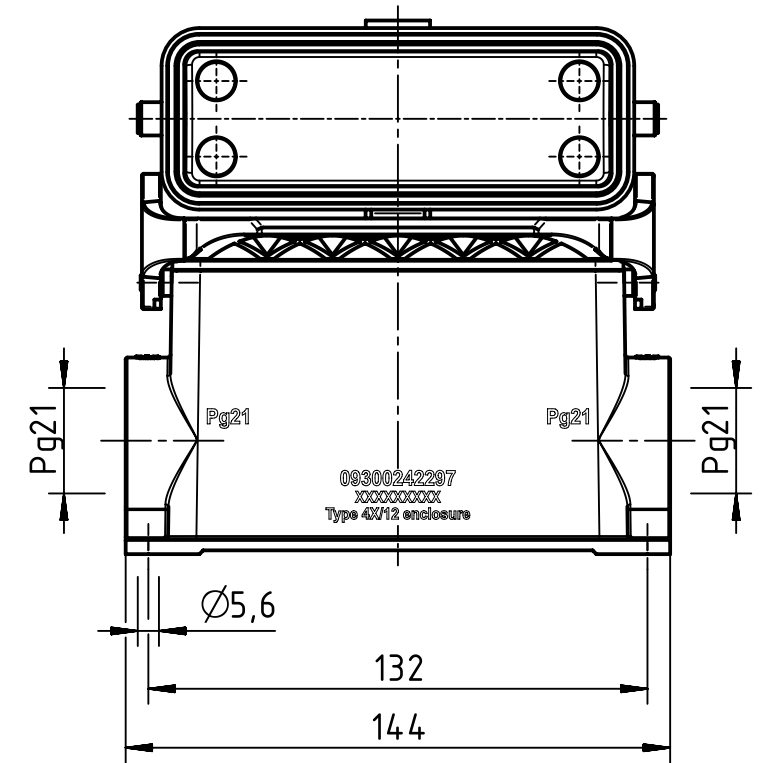
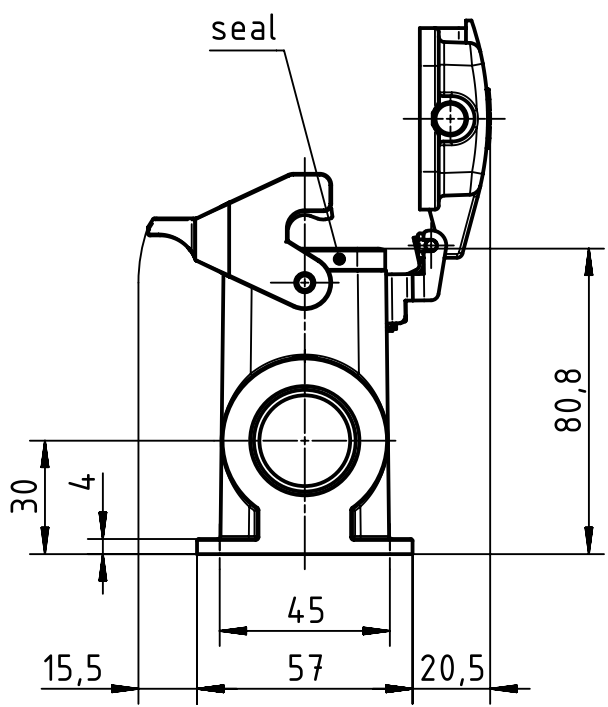
1 2 3 4 5 6


A

B

C

D



	All Dimensions in mm Original Size DIN A4		Scale 1:2	Free size tol.		Ref.
	All rights reserved Department EL PD		Created by FINKEV	Inspected by GERB	Standardisation GARSKE	Sub.
HARTING Electric GmbH & Co. KG D-32339 Espelkamp		Title Han 24B-asg2-LB-K-21 (AK in AI)			Date 2020-03-16	State Final Release
		Type TB	Number 09 30 024 2297		Doc-Key / ECM-Nr. 100205725/UGD/004/B 500000166176	Rev. B Page 1/1