

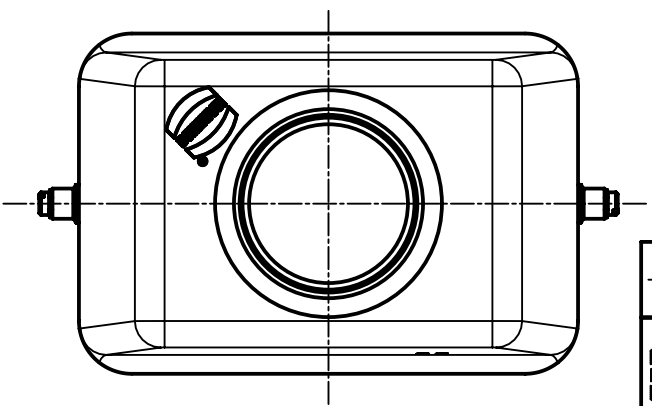
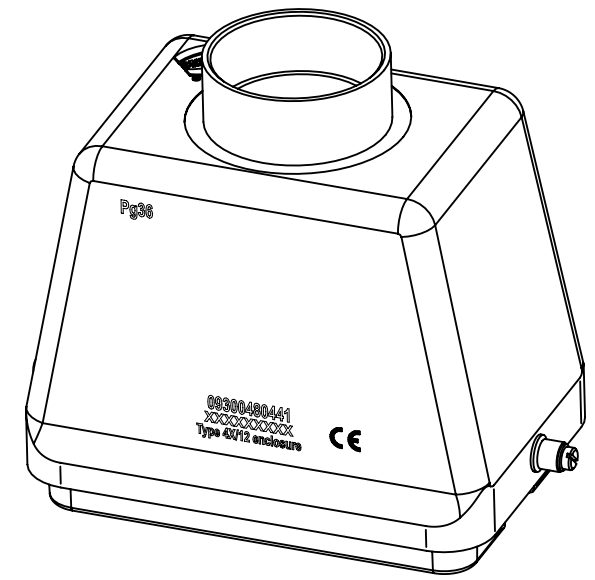
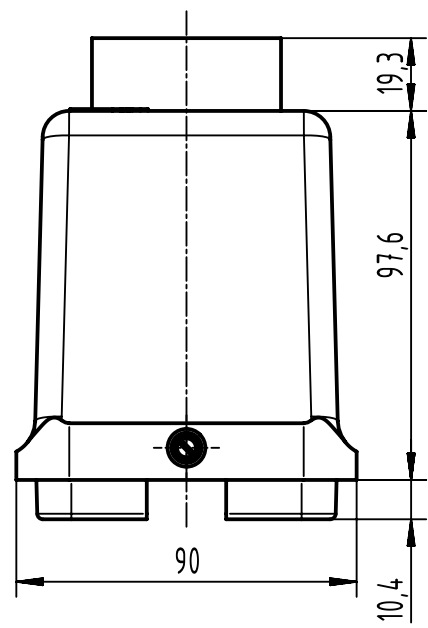
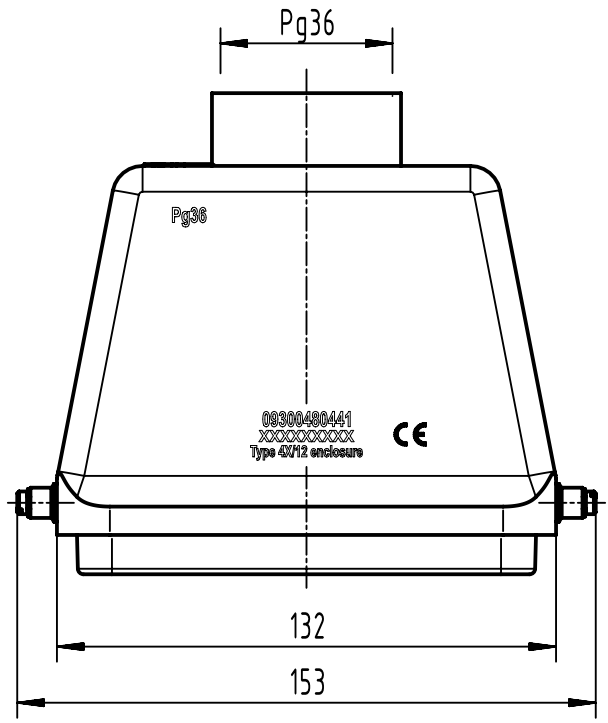
1 2 3 4 5 6

A

B

C

D



	All rights reserved		Scale 1:2		Free size tol.		Ref.	
	Department EL PD		Created by HELLMANN	Inspected by GERB	Standardisation 302077	Date 2021-03-16	State Final Release	
HARTING D-32339 Espelkamp			Title Han B Hood Top Entry HC 2 Pegs PG 36				Doc-Key / ECM-Nr. 100173581/UGD/004/E 500000190675	
			Type TB	Number 09 30 048 0441			Rev. E	Page 1/1